

Contents

American National Standards

Call for Comment on Standards Proposals	2
Call for Members (ANS Consensus Bodies)	6
Final Actions	7
Project Initiation Notification System (PINS)	10
ANSI-Accredited Standards Developers Contact Information	14

International Standards

IEC Draft Standards	16
ISO Newly Published Standards	17
Registration of Organization Names in the U.S.	19
Proposed Foreign Government Regulations	19
Information Concerning	20

American National Standards

Call for comment on proposals listed

This section solicits public comments on proposed draft new American National Standards, including the national adoption of ISO and IEC standards as American National Standards, and on proposals to revise, reaffirm or withdraw approval of existing American National Standards. A draft standard is listed in this section under the ANSI-accredited standards developer (ASD) that sponsors it and from whom a copy may be obtained. Comments in connection with a draft American National Standard must be submitted in writing to the ASD no later than the last day of the comment period specified herein. Such comments shall be specific to the section(s) of the standard under review and include sufficient detail so as to enable the reader to understand the commenter's position, concerns and suggested alternative language, if appropriate. Please note that the ANSI Executive Standards Council (ExSC) has determined that an ASD has the right to require that interested parties submit public review comments electronically, in accordance with the developer's procedures.

Ordering Instructions for "Call-for-Comment" Listings

1. **Order from the organization indicated for the specific proposal.**
2. **Use the full identification in your order, including the BSR prefix; for example, Electric Fuses BSR/SAE J554.**
3. **Include remittance with all orders.**
4. **BSR proposals will not be available after the deadline of call for comment.**

Comments should be addressed to the organization indicated, with a copy to the Board of Standards Review, American National Standards Institute, 25 West 43rd Street, New York, NY 10036. Fax: 212-840-2298; e-mail: psa@ansi.org

* Standard for consumer products

Comment Deadline: April 15, 2012

NSF (NSF International)

Revisions

BSR/NSF 14-201x (i45), Plastics Piping System Components and Related Materials (revision of ANSI/NSF 14-2003)

This issue proposes the addition of a footnote to Table 10 to clarify the temperature requirements for the in-plant burst pressure test specific to PEX tubing.

[Click here to see these changes in full at the end of Standards Action](#)

Send comments (with copy to psa@ansi.org) to: Monica Leslie, (734) 827-5643, mleslie@nsf.org

OPEI (Outdoor Power Equipment Institute)

Revisions

BSR/OPEI B71.1-201x, Consumer Turf Care Equipment - Pedestrian-Controlled Mowers and Ride-On Mowers - Safety Specifications (revision of ANSI/OPEI B71.1-2003)

The drawing for Figure 10 in the draft circulated with the 1st canvass ballot was incorrect. The drafting committee's intent was to revise Figure 10 to include a walk-behind operator, but used a drawing that inadvertently modified the top view of the riding operator. The proposed revision corrects this technical error as well as a few editorial corrections of dimensions. For comparative purposes, both the revised Figure 10 and the previous version appear at the end of this issue of Standards Action.

[Click here to see these changes in full at the end of Standards Action](#)

Send comments (with copy to psa@ansi.org) to: Daniel Mustico, (703) 549-7600, dmustico@opei.org

UL (Underwriters Laboratories, Inc.)

Revisions

BSR/UL 2442-201x, Standard for Safety for Wall- and Ceiling-Mounts and Accessories (revision of ANSI/UL 2442-2011)

(1) Proposed deletion of 62.13 which requires the Cycling Test to be conducted prior to the Mounting Securement Test.

[Click here to see these changes in full at the end of Standards Action](#)

Send comments (with copy to psa@ansi.org) to: Patricia Sena, (919) 549-1636, patricia.a.sena@ul.com

Comment Deadline: April 30, 2012

AAMI (Association for the Advancement of Medical Instrumentation)

Addenda

BSR/AAMI ST79-2010/A3.6-201x, Comprehensive guide to steam sterilization and sterility assurance in health care facilities (addenda to ANSI/AAMI ST79-2010)

This amendment updates the section on handling, collection, and transportation of contaminated items in the recommended practice to reflect current best practices in the field.

Single copy price: \$20.00 (AAMI Members)/\$25.00 (list)

Obtain an electronic copy from: www.aami.org

Order from: AAMI Publications; Phone: 1-877-249-8226; Fax: 1-301-206-9789

Send comments (with copy to psa@ansi.org) to: Susan Gillespie, 703-253-8284; sgillespie@aami.org

AAMI (Association for the Advancement of Medical Instrumentation)

Addenda

BSR/AAMI ST79-2010/A3.7-201x, Comprehensive guide to steam sterilization and sterility assurance in health care facilities (addenda to ANSI/AAMI ST79-2010)

This amendment updates the section on cleaning and other decontamination processes in the recommended practice to reflect current best practices in the field.

Single copy price: \$20.00 (AAMI Members)/\$25.00 (list)

Obtain an electronic copy from: www.aami.org

Order from: AAMI Publications; Phone: 1-877-249-8226; Fax: 1-301-206-9789

Send comments (with copy to psa@ansi.org) to: Susan Gillespie, 703-253-8284; sgillespie@aami.org

ABYC (American Boat and Yacht Council)

New Standards

BSR/ABYC P-21-201x, Manual Hydraulic Steering Systems (new standard)

This standard is a guide for the design, construction, and installation for remote manual hydraulic steering systems, and the major components thereof.

Single copy price: \$ 50.00

Obtain an electronic copy from: www.abycinc.org

Order from: www.abycinc.org

Send comments (with copy to psa@ansi.org) to: comments@abycinc.org

AHRI (Air-Conditioning, Heating, and Refrigeration Institute)

New Standards

BSR/AHRI Standard 550/590 (I-P)-201x, Performance Rating of Water-Chilling and Heat Pump Water-Heating Packages Using the Vapor Compression Cycle (new standard)

Applies to factory-made vapor compression refrigeration Water-Chilling and Water-Heating Packages including one or more hermetic or open drive compressors. These Water-Chilling and Water-Heating Packages include:

- Water-Cooled, Air-Cooled, or Evaporatively-Cooled Condensers;
- Water-Cooled heat reclaim condensers;
- Air-to-water heat pump; and
- Water-to-water heat pumps with a capacity greater or equal to 135,000 Btu/h.

Water-to-water heat pumps with a capacity less than 135,000 Btu/h are covered by the latest edition of AHRI Standard 320.

Single copy price: Free

Obtain an electronic copy from: dabbate@ahrinet.org

Order from: Daniel Abbate, (703) 600-0327, dabbate@ahrinet.org

Send comments (with copy to psa@ansi.org) to: Same

ASABE (American Society of Agricultural and Biological Engineers)

Revisions

BSR/ASAE EP486.2-200x, Shallow Post and Pier Foundation Design (revision of ANSI/ASAE EP486.1-OCT00 (R2005))

Contains safety factors and other provisions for allowable stress design (ASD), which is also known as working stress design, and for load and resistance factor design (LRFD), which is also known as strength design. This standard contains properties and procedures for modeling soil deformation for use in structural building frame analyses.

Single copy price: \$ 52.00

Obtain an electronic copy from: vangilder@asabe.org

Order from: Carla VanGilder, (269) 932-7015, vangilder@asabe.org

Send comments (with copy to psa@ansi.org) to: Same

ASSE (American Society of Sanitary Engineering)

New Standards

BSR/ASSE Series 16000-201x, Professional Qualifications Standard for the Plumbing Inspector (new standard)

Applies to an individual who inspects plumbing systems. The purpose of this standard is to provide minimum performance criteria, identified by industry consensus, for plumbing inspectors.

Single copy price: \$ 60.00

Obtain an electronic copy from: ken@asse-plumbing.org

Order from: Elaine Mathieson, (440) 835-3040, membership@asse-plumbing.org

Send comments (with copy to psa@ansi.org) to: Marianne Waickman, (440) 835-3040, Marianne@asse-plumbing.org

ASSE (American Society of Sanitary Engineering)

Revisions

BSR/ASSE 1044-201x, Performance Requirements for Trap Seal Primer - Drainage Types and Electric Design Types (revision of ANSI/ASSE 1044-2002)

The trap seal primers covered by this standard are designed to supply water to a drain trap to provide and maintain its water seal using a supply from a fixture drainline, ballcock, or flushometer valve tailpiece or an electric trap seal primer.

Single copy price: \$ 45.00

Obtain an electronic copy from: ken@asse-plumbing.org

Order from: Kenneth Van Wagnen, (440) 835-3040, ken@asse-plumbing.org

Send comments (with copy to psa@ansi.org) to: Same

ASTM (ASTM International)

New Standards

BSR/ASTM E2574-201x, Test Method For Fire Testing of School Bus Seat Assemblies (new standard)

http://www.astm.org/ANSI_SA

Single copy price: \$ 40.00

Obtain an electronic copy from: kwilson@astm.org

Order from: Karen Wilson, (610) 832-9743, kwilson@astm.org; cleonard@astm.org

Send comments (with copy to psa@ansi.org) to: Same

ATIS (Alliance for Telecommunications Industry Solutions)

New Standards

BSR ATIS 1000050-201x, NGN Operator Intercept Service (new standard)

Describes NGN signaling support for Operator Regular Intercept service, analogous to the PSTN Intercept service defined in T1.666 for the case where the called party number has changed. When a call termination attempt is addressed to such a destination (the "intercepted number"), then Operator Regular Intercept service indicates (e.g., by playing a verbal announcement) the reason the call cannot be completed. Additional information may also be provided to the caller, e.g., providing a new destination address. Operator Regular Intercept service may also offer the caller Call Completion functionality, as defined in ATIS 1000027.

Single copy price: \$ 100.00

Obtain an electronic copy from: kconn@atis.org

Order from: Kerriane Conn, (202) 434-8841, kconn@atis.org

Send comments (with copy to psa@ansi.org) to: Same

AWS (American Welding Society)**Revisions**

BSR/AWS B5.1-201x, Specification for the Qualification of Welding Inspectors (revision of ANSI/AWS B5.1-2003)

Defines the qualification requirements to qualify welding inspectors. The qualification requirements for visual welding inspectors include experience, satisfactory completion of an examination, which includes demonstrated capabilities, and proof of visual acuity. The examination tests the inspector's knowledge of welding processes, welding procedures, nondestructive examinations, destructive tests, terms, definitions, symbols, reports, welding metallurgy, related mathematics, safety, quality assurance and responsibilities.

Single copy price: \$ 25.00

Obtain an electronic copy from: roneill@aws.org

Order from: Rosalinda O'Neill, (305) 443-9353, roneill@aws.org

Send comments (with copy to psa@ansi.org) to: Andrew Davis, (305) 443-9353, Ext. 466, adavis@aws.org; roneill@aws.org

CSA (CSA America, Inc.)**New Standards**

BSR/CSA HGV 4.4-201x, Breakaway Devices for Compressed Hydrogen Dispensing Hoses and Systems (new standard)

Contains safety requirements for the design, manufacture and testing of fueling hose breakaway devices for use in hydrogen gas fueling applications. This standard does not apply to:

- residential fueling facilities;
- vehicle fueling appliances for hydrogen gas vehicles;
- dispenser breakaway devices (shear valves); and
- vehicular breakaway components.

Single copy price: \$ 175.00

Obtain an electronic copy from: cathy.rake@csa-america.org

Order from: Cathy Rake, (216) 524-4990, cathy.rake@csa-america.org

Send comments (with copy to psa@ansi.org) to: Same

CSA (CSA America, Inc.)**New Standards**

BSR/CSA HGV 4.5-201x, Priority and Sequencing Equipment for Hydrogen Vehicle Fueling Priority and Sequencing Equipment for Hydrogen Vehicle Fueling (new standard)

Contains requirements for priority and sequencing equipment, which is part of a hydrogen gas vehicle fueling system.

Single copy price: \$ 175.00

Obtain an electronic copy from: cathy.rake@csa-america.org

Order from: Cathy Rake, (216) 524-4990, cathy.rake@csa-america.org

Send comments (with copy to psa@ansi.org) to: Same

NCPDP (National Council for Prescription Drug Programs)**Revisions**

BSR/NCPDP Post Adj v3.1-201x, NCPDP Post Adjudication Standard v3.1 (revision and redesignation of ANSI/NCPDP Post Adj v3.0-2011)

The goal of this implementation guide is to support the development of a common format for post-adjudicated pharmacy claim data, which is used to meet the needs of the pharmacy industry to support the communication of patient pharmacy transaction data. The implementation of this standard will provide administrative efficiencies and allow for an industry standard to be used for all entities sharing historical health care data.

Single copy price: \$ 200.00 (non-members)

Obtain an electronic copy from: kkrempin@ncdpd.org

Order from: Kitty Krempin, (512) 291-1356, kkrempin@ncdpd.org

Send comments (with copy to psa@ansi.org) to: Same

OPEI (Outdoor Power Equipment Institute)**New Standards**

BSR/OPEI B175.1-200X, Outdoor Power Equipment - Internal Combustion Engine-Powered Hand-Held Chain Saws - Safety and Environmental Requirements (new standard)

To establish safety and environmental requirements for internal combustion engine-powered chain saws and replacement saw chains for use primarily in cutting wood.

Single copy price: \$ 87.00

Obtain an electronic copy from: kwoods@opei.org

Order from: Kathy Woods, (703) 549-7600, ext. 24, KWoods@opei.org

Send comments (with copy to psa@ansi.org) to: Same

OPEI (Outdoor Power Equipment Institute)**Revisions**

BSR/OPEI B175.2-201x, Outdoor Power Equipment - Internal Combustion Engine-Powered Hand-Held and Backpack Blowers and Blower-Vacuums - Safety Requirements and Performance Testing Procedures (revision of ANSI B175.2-2000 (R2005))

To establish manufacturer requirements to reduce the risk of injury associated with the use of hand-held and backpack internal combustion engine-powered blowers and blower vacuums and to measure bystander sound pressure levels at 15 meters (50 feet). This standard does not apply to ride-on, towed, walk-behind units, or electrically powered units.

Single copy price: \$ 37.00

Obtain an electronic copy from: kwoods@opei.org

Order from: Kathleen Woods, (703) 549-7600, ext. 24, KWoods@opei.org

Send comments (with copy to psa@ansi.org) to: Same

PLASA (PLASA North America)**Revisions**

BSR E1.8-201x, Entertainment Technology - Loudspeaker Enclosures Intended for Overhead Suspension - Classification, Manufacture and Structural Testing (revision of ANSI E1.8-2005)

BSR E1.8-201x is a revision of the existing standard for the structural integrity of loudspeaker enclosures that are suspended overhead. It is designed to ensure that flown speaker enclosures don't break and drop debris. The revisions are intended to simplify the standard and to clarify the requirements.

Single copy price: Free

Obtain an electronic copy from: http://tsp.plasa.org/tsp/documents/public_review_docs.php

Order from: Karl Ruling, (212) 244-1505, karl.ruling@plasa.org

Send comments (with copy to psa@ansi.org) to: Same

PLASA (PLASA North America)**Reaffirmations**

BSR E1.9-2007 (R201x), Entertainment Technology - Reporting Photometric Performance Data for Luminaires Used in Entertainment Lighting (reaffirmation of ANSI E1.9-2007)

This standard defines the minimum photometric data to be presented on documents purporting to accurately describe the photometric performance of stage and studio luminaires used in the live entertainment and performance industries.

Single copy price: \$ 40.00

Obtain an electronic copy from: http://tsp.plasa.org/tsp/documents/public_review_docs.php

Order from: Karl Ruling, (212) 244-1505, karl.ruling@plasa.org

Send comments (with copy to psa@ansi.org) to: Same

PLASA (PLASA North America)**Reaffirmations**

BSR E1.35-2007 (R201x), Standard for Lens Quality Measurements for Pattern Projecting Luminaires Intended for Entertainment Use (reaffirmation of ANSI E1.35-2007)

E1.35 describes a method for measuring stage and studio luminaire lens quality with particular emphasis on contrast and perceived image quality (sharpness). It also offers a way for presenting these results on a datasheet in a format that is readily understood by a typical end-user and that allows the end-user to directly compare lenses in a meaningful way.

Single copy price: \$ 40.00

Obtain an electronic copy from: http://tsp.plasa.org/tsp/documents/public_review_docs.php

Order from: Karl Ruling, (212) 244-1505, karl.ruling@plasa.org

Send comments (with copy to psa@ansi.org) to: Same

PLASA (PLASA North America)**Reaffirmations**

BSR E1.36-2007 (R201x), Model Procedure for Permitting the Use of Tungsten-Halogen Incandescent Lamps and Stage and Studio Luminaires in Vendor Exhibit Booths in Convention and Trade Show Exhibition Halls (reaffirmation of ANSI E1.36-2007)

E1.36 is a model set of procedures that can be used by convention center and trade show exhibition hall staff to mitigate the risks perceived to be associated with the use of tungsten-halogen lamps and stage and studio luminaires in convention centers and trade show exhibition halls and to allow their use in a safe manner.

Single copy price: \$ 40.00

Obtain an electronic copy from: http://tsp.plasa.org/tsp/documents/public_review_docs.php

Order from: Karl Ruling, (212) 244-1505, karl.ruling@plasa.org

Send comments (with copy to psa@ansi.org) to: Same

UL (Underwriters Laboratories, Inc.)**Revisions**

BSR/UL 1838-201x, Standard for Safety for Low Voltage Landscape Lighting Systems (revision of ANSI/UL 1838-2010a)

The following changes in requirements to the Standard for Low Voltage Landscape Lighting Systems, UL 1838, are being proposed:

- (1) Add reference to UL 8750 for LED components;
- (2) Revise risk of electric shock definition - interrupted DC limits;
- (3) Revise requirements for open holes in enclosures;
- (4) Revise requirements for output (secondary) circuit insulation;
- (5) Revise Leakage Current Test requirements;
- (6) Clarify Rain Test requirements;
- (7) Clarify Immersion Test requirements;
- (8) Editorial revisions to Short Circuit Test in Section 44;
- (9) Clarify marking requirements for power units;
- (10) Simplification of luminaire markings in Clause 56;
- (11) Clarification of Abnormal Operations Test for tungsten halogen luminaires in Clause 62; and
- (12) Revisions to Pond and Small Decorative Fountain Luminaires and Fittings in Part 4.

Single copy price: Contact comm2000 for pricing and delivery options

Obtain an electronic copy from: <http://www.comm-2000.com>

Order from: comm2000

Send comments (with copy to psa@ansi.org) to: Heather Sakellariou, (847) 664-2346, Heather.Sakellariou@ul.com

VITA (VMEbus International Trade Association (VITA))**New Standards**

BSR/VITA 46.3-201x, Serial RapidIO on VPX Fabric Connector (new standard)

The objectives of this standard are to assign Serial RapidIO ports to the VPX P1/J1 connector and to provide rules and recommendations for the use of the assigned Serial RapidIO ports.

Single copy price: Free

Obtain an electronic copy from: techdir@vita.com

Send comments (with copy to psa@ansi.org) to: techdir@vita.com

Call for Members (ANS Consensus Bodies)

Directly and materially affected parties who are interested in participating as a member of an ANS consensus body for the standards listed below are requested to contact the sponsoring standards developer directly and in a timely manner.

AHRI (Air-Conditioning, Heating, and Refrigeration Institute)

Office: 2111 Wilson Boulevard
Suite 500
Arlington, VA 22201

Contact: *Daniel Abbate*

Phone: (703) 600-0327

Fax: (703) 562-1942

E-mail: dabbate@ahrinet.org

BSR/AHRI Standard 550/590 (I-P)-201x, Performance Rating of Water-Chilling and Heat Pump Water-Heating Packages Using the Vapor Compression Cycle (new standard)

ASNT (American Society for Nondestructive Testing)

Office: 1711 Arlingate Lane
P.O. Box 28518
Columbus, OH 43228-0518

Contact: *Charles Longo*

Phone: (614) 274-6003

Fax: (614) 274-6899

E-mail: clongo@asnt.org

BSR/ASNT CP-106-201x, Nondestructive Testing-Qualification and Certification of Personnel (national adoption with modifications and revision of ANSI/ASNT CP-106-2008)

BIFMA (Business and Institutional Furniture Manufacturers Association)

Office: 678 Front Ave. NW
Grand Rapids, MI 49504

Contact: *David Panning*

Phone: 616-285-3963

Fax: 616-285-3765

E-mail: dpanning@bifma.org

BSR/BIFMA X5.5-201X, Desk/Table Products - Tests (revision of ANSI/BIFMA X5.5-2008)

TAPPI (Technical Association of the Pulp and Paper Industry)

Office: 15 Technology Parkway South
Norcross, GA 30092

Contact: *Charles Bohanan*

Phone: (770) 209-7276

Fax: (770) 446-6947

E-mail: standards@tappi.org

BSR/TAPPI T 272 om-201x, Forming handsheets for reflectance testing of pulp (sheet machine procedure) (new standard)

BSR/TAPPI T 839 om-201x, Edgewise compressive strength of corrugated fiberboard using the clamp method (short column test) (new standard)

WMMA (ASC O1) (Wood Machinery Manufacturers of America)

Office: 500 Citadel Drive Suite 200
Commerce, CA 90040

Contact: *Harold Zassenhaus*

Phone: (301) 652-0693

Fax: (323) 215-0331

E-mail: hzassenhaus@wmma.org

BSR WMMA 01.1-3-201x, Safety Standards for CNC Machining Centers (new standard)

Final actions on American National Standards

The standards actions listed below have been approved by the ANSI Board of Standards Review (BSR) or by an ANSI-Audited Designator, as applicable.

3-A (3-A Sanitary Standards, Inc.)

Revisions

ANSI/3-A P3-A 003-2012, Pharmaceutical 3-A Sanitary Standard/Hygienic Standard for End Suction Centrifugal Pumps for Active Pharmaceutical Ingredients (revision of ANSI/3-A P3-A 003-2008): 3/13/2012

AIHA (ASC Z9) (American Industrial Hygiene Association)

Reaffirmations

ANSI/AIHA Z9.2-2001 (R2011), Fundamentals Governing the Design and Operation of Local Exhaust Systems (reaffirmation of ANSI/AIHA Z9.2-2001 (R2006)): 3/6/2012

API (American Petroleum Institute)

New Standards

ANSI/API Standard 2350-2012, Overfill Protection for Storage Tanks in Petroleum Facilities (new standard): 3/12/2012

ASME (American Society of Mechanical Engineers)

New Standards

ANSI/ASME TDP-2-2012, Prevention of Water Damage to Steam Turbines Used for Electric Power Generation: Nuclear Fueled Plants (new standard): 3/7/2012

ANSI/ASME V&V 10.1-2012, An Illustration of the Concepts of Verification and Validation in Computational Solid Mechanics (new standard): 3/7/2012

Reaffirmations

ANSI/ASME Y14.5.1M-1994 (R2012), Mathematical Definition of Y14.5 (reaffirmation of ANSI/ASME Y14.5.1M-1994 (R2004)): 3/7/2012

ASTM (ASTM International)

New Standards

ANSI/ASTM E2574-2011, Test Method For fire Testing of School Bus Seat Assemblies (new standard): 12/15/2011

ANSI/ASTM F1732-2012, Specification for Poly(Vinyl Chloride) (PVC) Sewer and Drain Pipe Containing Recycled PVC Material (new standard): 2/21/2012

ANSI/ASTM F2922-2012, Specification for Polyethylene (PE) Corrugated Wall Stormwater Collection Chambers (new standard): 3/1/2012

Reaffirmations

ANSI/ASTM F402-1999 (R2012), Practice for Safe Handling of Solvent Cements, Primers, and Cleaners Used for Joining Thermoplastic Pipe and Fittings (reaffirmation of ANSI/ASTM F402-1999): 2/21/2012

ANSI/ASTM F2135-2001 (R2012), Specification for Molded Drain Waste and Vent (DWV) Short-Pattern Plastic Fittings (reaffirmation of ANSI/ASTM F2135-2001 (R2007)): 2/21/2012

ANSI/ASTM F2657-2008 (R2012), Test Method for Outdoor Weathering Exposure of Crosslinked Polyethylene (PEX) Tubing (reaffirmation of ANSI/ASTM F2657-2008): 3/1/2012

Revisions

ANSI/ASTM D2513-2012a, Specification for Polyethylene (PE) Gas Pressure Pipe, Tubing, and Fittings (revision of ANSI/ASTM D2513-2012): 2/21/2012

ANSI/ASTM D2774-2012, Practice for Underground Installation of Thermoplastic Pressure Piping (revision of ANSI/ASTM D2774-2008): 2/21/2012

ANSI/ASTM E84-2011c, Test Method for Surface Burning Characteristics of Building Materials (revision of ANSI/ASTM E84-2011b): 12/15/2011

ANSI/ASTM E329-2011b, Specification for Agencies Engaged in Construction Inspection, Testing, or Special Inspection (revision of ANSI/ASTM E329-2011): 12/15/2011

ANSI/ASTM E535-2012, Practice for Preparation of Fire-Test-Response Standards (revision of ANSI/ASTM E535-2009): 3/1/2012

ANSI/ASTM F480-2012, Specification for Thermoplastic Well Casing Pipe and Couplings Made in Standard Dimension Ratios (SDR), (SCH 40 and SCH 80) (revision of ANSI/ASTM F480-2006b): 2/21/2012

ANSI/ASTM F667-2012, Specification for Large Diameter Corrugated Polyethylene Pipe and Fittings (revision of ANSI/ASTM F667-2006): 2/21/2012

ANSI/ASTM F2106-2012, Test Methods for Evaluating Design and Performance Characteristics of Motorized Treadmills (revision of ANSI/ASTM F2106-2003 (R2010)): 3/1/2012

ANSI/ASTM F2115-2012, Specification for Motorized Treadmills (revision of ANSI/ASTM F2115-2005): 3/1/2012

ANSI/ASTM F2216-2012, Specification for Selectorized Strength Equipment (revision of ANSI/ASTM F2216-2005): 3/1/2012

ANSI/ASTM F2277-2012, Test Methods for Evaluating Design and Performance Characteristics of Selectorized Strength Equipment (revision of ANSI/ASTM F2277-2003 (R2010)): 3/1/2012

ANSI/ASTM F2418-2012, Specification for Polypropylene (PP) Corrugated Wall Stormwater Collection Chambers (revision of ANSI/ASTM F2418-2011): 2/21/2012

ANSI/ASTM F2599-2011, Practice for the Sectional Repair of Damaged Pipe by Means of an Inverted Cured-In-Place Liner (revision of ANSI/ASTM F2599-2006): 12/15/2011

ANSI/ASTM F2842-2011, Specification for Reins Used in Thoroughbred and Quarter Horse Racing (revision of ANSI/ASTM F2842-2010): 12/15/2011

ATIS (Alliance for Telecommunications Industry Solutions)**Reaffirmations**

ANSI ATIS 0600403-1999 (R2012), Network and Customer Installation Interfaces - DS1 Electrical Interfaces (reaffirmation of ANSI ATIS 0600403-1999 (R2007)): 3/12/2012

ANSI ATIS 0600417-2003 (R2012), Spectrum Management for Loop Transmission Systems (reaffirmation of ANSI ATIS 0600417-2003 (R2008)): 3/12/2012

ANSI ATIS 0900105.02-2007 (R2012), Synchronous Optical Network (SONET) - Payload Mappings (reaffirmation of ANSI ATIS 0900105.02-2007): 3/12/2012

ANSI ATIS 0900105.06-2002 (R2012), Synchronous Optical Network (SONET): Physical Layer Specifications (reaffirmation of ANSI ATIS 0900105.06-2002 (R2007)): 3/12/2012

AWS (American Welding Society)**New National Adoptions**

ANSI/AWS A4.5M/A4.5:2012 (ISO 15792-3:2011), Standard Methods for Classification Testing of Positional Capacity and Root Penetration of Welding Consumables in a Fillet Weld (national adoption with modifications of ISO 15792-3:2000 MOD): 3/9/2012

Revisions

ANSI/AWS Z49.1-2012, Safety in Welding, Cutting, and Allied Processes (revision of ANSI Z49.1-2005): 3/9/2012

FCI (Fluid Controls Institute)**Revisions**

ANSI/FCI 99-3-2012, Back Pressure Regulator Capacity (revision of ANSI/FCI 99-3-2007): 3/14/2012

HL7 (Health Level Seven)**New Standards**

ANSI/HL7 EHRXPVFP, R1-2012, HL7 EHR-System Pharmacist/Pharmacy Provider Functional Profile, Release 1 - US Realm (new standard): 3/14/2012

Revisions

ANSI/HL7 Arden V2.8-2012, Health Level Seven Arden Syntax for Medical Logic SyBSR/HL7 Arden V2.8-201xstems, Version 2.8 (revision and redesignation of ANSI/HL7 Arden V2.7-2008): 3/13/2012

ILTVA (International Light Transportation Vehicle Association, Inc.)**Revisions**

- * ANSI/ILTVA Z130.1-2012, Standard for Golf Cars -Safety and Performance Specifications (revision and redesignation of ANSI/NGCMA Z130.1-2004): 3/13/2012

MTS (Institute for Market Transformation to Sustainability)**Revisions**

ANSI/MTS 2.0 IP Guide-2012, Integrated Process for Sustainable Buildings & Communities (revision of ANSI/MTS 1.0 WSIP Guide -2007): 3/6/2012

NSF (NSF International)**Revisions**

- * ANSI/NSF 42-2012 (i72), Drinking Water Treatment Units - Aesthetic Effects (revision of ANSI/NSF 42-2010): 2/29/2012
- * ANSI/NSF 44-2012 (i34), Residential Cation Exchange Water Softeners (revision of ANSI/NSF 44-2009): 2/29/2012
- * ANSI/NSF 53-2012 (i84), Drinking water treatment units - Health effects (revision of ANSI/NSF 53-2010): 2/29/2012
- * ANSI/NSF 55-2012 (i34), Ultraviolet microbiological water treatment systems (revision of ANSI/NSF 55-2009): 2/9/2012
- * ANSI/NSF 58-2012 (i59), Reverse osmosis drinking water treatment systems (revision of ANSI/NSF 58-2011): 2/29/2012
- * ANSI/NSF 60-2012 (i52), Drinking Water Treatment Chemicals: Health Effects (revision of ANSI/NSF 60-2011): 3/5/2012
- ANSI/NSF 61-2012 (i97), Drinking Water System Components: Health Effects (revision of ANSI/NSF 61-2011): 3/6/2012
- * ANSI/NSF 61-2012 (i98), Drinking Water System Components: Health Effects (revision of ANSI/NSF 61-2011): 3/5/2012
- * ANSI/NSF 62-2012 (i23), Drinking water distillation systems (revision of ANSI/NSF 62-2009): 2/19/2012

OPEI (Outdoor Power Equipment Institute)**New Standards**

- * ANSI/OPEI B71.9-2012, Standard for Multipurpose Off-Highway Utility Vehicles (new standard): 3/6/2012

SCTE (Society of Cable Telecommunications Engineers)**New Standards**

ANSI/SCTE 134-2012, Fusion Splicing Equipment and Applications for the Cable/Broadband Industry (new standard): 3/9/2012

UL (Underwriters Laboratories, Inc.)**New Standards**

ANSI/UL 635-2012, Standard for Safety for Insulating Bushings (new standard): 3/8/2012

Revisions

- ANSI/UL 705-2012, Standard for Power Ventilators (revision of ANSI/UL 705-2011): 3/13/2012
- ANSI/UL 705-2012a, Standard for Power Ventilators (revision of ANSI/UL 705-2011): 3/13/2012
- ANSI/UL 746C-2012a, Standard for Safety for Polymeric Materials - Use in Electrical Equipment Evaluations (revision of ANSI/UL 746C -2010): 3/6/2012

ANSI/UL 746C-2012, Standard for Safety for Polymeric Materials -
Use in Electrical Equipment Evaluations (revision of ANSI/UL 746C
-2010): 3/6/2012

ANSI/UL 746C-2012b, Standard for Safety for Polymeric Materials -
Use in Electrical Equipment Evaluations (revision of ANSI/UL 746C
-2010): 3/6/2012

ANSI/UL 1063-2012, Standard for Safety for Machine-Tool Wires and
Cables (revision of ANSI/UL 1063-2006): 3/7/2012

ANSI/UL 1063-2012a, Standard for Safety for Machine-Tool Wires and
Cables (revision of ANSI/UL 1063-2006): 3/7/2012

Project Initiation Notification System (PINS)

ANSI Procedures require notification of ANSI by ANSI-accredited standards developers (ASD) of the initiation and scope of activities expected to result in new or revised American National Standards (ANS). Early notification of activity intended to reaffirm or withdraw an ANS and in some instances a PINS related to a national adoption is optional. The mechanism by which such notification is given is referred to as the PINS process. For additional information, see clause 2.4 of the ANSI Essential Requirements: Due Process Requirements for American National Standards.

Following is a list of proposed actions and new ANS that have been received recently from ASDs. Please also review the section in Standards Action entitled "American National Standards Maintained Under Continuous Maintenance" for additional or comparable information with regard to standards maintained under the continuous maintenance option. To view information about additional standards for which a PINS has been submitted and to search approved ANS, please visit www.NSSN.org, which is a database of standards information. Note that this database is not exhaustive.

Directly and materially affected interests wishing to receive more information or to submit comments are requested to contact the standards developer directly within 30 days of the publication of this announcement.

ASNT (American Society for Nondestructive Testing)

Office: 1711 Arlingate Lane
P.O. Box 28518
Columbus, OH 43228-0518

Contact: Charles Longo

Fax: (614) 274-6899

E-mail: clongo@asnt.org

BSR/ASNT CP-106-201x, Nondestructive Testing-Qualification and Certification of Personnel (national adoption with modifications and revision of ANSI/ASNT CP-106-2008)

Stakeholders: General Industry involved in NDT

Project Need: Provide a system for the qualification and certification of NDT personnel by third-party certification bodies.

The standard being revised was an adoption of ISO 9712:1999 with modifications in compliance with ISO/IEC Guide 21:1999.

ASTM (ASTM International)

Office: 100 Barr Harbor Drive
West Conshohocken, PA 19428-2959

Contact: Jeff Richardson

Fax: (610) 834-7067

E-mail: jrichard@astm.org

BSR/ASTM/ISO/IEC 17020-201x, General criteria for the operation of various types of bodies performing inspection (identical national adoption and revision of ANSI/ASTM/ISO/IEC 17020-1998)

Stakeholders: Accreditation & Certification Industry

Project Need: This European standard specifies general criteria for the competence of impartial bodies performing inspection irrespective of the sector involved. It also specifies independence criteria.

<http://www.astm.org/Standards/ANSIISOIEC17020.htm>

BSR/ASTM/ISO/IEC 17024-201x, Conformity assessment - General requirements for bodies operating certification of persons (identical national adoption and revision of ANSI/ASTM/ISO/IEC 17024-2005)

Stakeholders: Accreditation & Certification Industry

Project Need: This International Standard specified requirements for a body certifying persons against specific requirements, including the development and maintenance of a certification scheme for persons.

<http://www.astm.org/Standards/ANSIISOIEC17024.htm>

ATIS (Alliance for Telecommunications Industry Solutions)

Office: 1200 G Street, NW
Suite 500
Washington, DC 20005

Contact: Kerriane Conn

Fax: (202) 347-7125

E-mail: kconn@atis.org

BSR ATIS 0600333-201x, Grounding and Bonding of Telecommunications Equipment (revision of ANSI ATIS 0300333-2007)

Stakeholders: Communications Industry

Project Need: To define and describe the grounding and bonding topologies commonly used for the installations of network telecommunications equipment in central offices and similar type facilities.

This standard defines and describes the grounding and bonding topologies commonly used for the installations of network telecommunications equipment in central offices and similar type facilities. It addresses the baseline grounding and bonding requirements for telecommunications equipment, the associated dc and ac power facilities, and the interfacing of co-located telecommunications systems installed in central offices and similar facilities.

BIFMA (Business and Institutional Furniture Manufacturers Association)

Office: 678 Front Ave. NW
Grand Rapids, MI 49504

Contact: David Panning

Fax: 616-285-3765

E-mail: dpanning@bifma.org

BSR/BIFMA X5.5-201X, Desk/Table Products - Tests (revision of ANSI/BIFMA X5.5-2008)

Stakeholders: Office Furniture Manufacturers, Suppliers, Users, and Test Labs.

Project Need: Revise the current edition of ANSI/BIFMA X5.5-2008.

This standard is intended to provide a common basis for evaluating the safety, durability, and structural performance of desk and table products.

ITI (INCITS) (InterNational Committee for Information Technology Standards)

Office: 1101 K Street NW, Suite 610
Washington, DC 20005

Contact: *Barbara Bennett*

Fax: (202) 638-4922

E-mail: bbennett@itic.org

BSR INCITS/ISO 19148-201x, Geographic information - Linear referencing (identical national adoption of ISO 19148:2012)

Stakeholders: ICT Industry

Project Need: Adoption of this International Standard will be beneficial to the ICT industry.

ISO 19148:2012 specifies a conceptual schema for locations relative to a one-dimensional object as measurement along (and optionally offset from) that object. It defines a description of the data and operations required to use and support linear referencing. ISO 19148:2012 is applicable to transportation, utilities, location-based services and other applications which define locations relative to linear objects.

OPEI (Outdoor Power Equipment Institute)

Office: 341 South Patrick Street
Alexandria, VA 22314

Contact: *Kathleen Woods*

Fax: (703) 549-7604

E-mail: KWoods@opei.org

- * BSR/OPEI B175.3-201x, Outdoor Power Equipment - Internal Combustion Engine-Powered Hand-Held Grass Trimmers and Brushcutters - Safety and Environmental Requirements (revision and redesignation of ANSI B175.3-2003)

Stakeholders: Manufacturers of outdoor power equipment, suppliers, distributors, governmental agencies, testing entities, and consumers

Project Need: To revise the existing standard for grass trimmers and brushcutters current and more useful.

To establish safety and environmental requirements for internal combustion engine-powered hand-held grass trimmers and brushcutters. This standard is not applicable to lawn edge trimmers or to metallic cutting attachments consisting of more than one piece, e.g., pivoting chains or flail blades.

- * BSR/OPEI B175.4-201x, Outdoor Power Equipment - Portable, Hand-Held Internal Combustion Engine-Powered Cut-Off Machines - Safety and Environmental Requirements (revision of ANSI B175.4-2006)

Stakeholders: Manufacturers of outdoor power equipment, suppliers, distributors, governmental agencies, testing entities, and commercial equipment consumers

Project Need: To revise and update existing standard.

To establish safety and environmental requirements for portable, hand-held internal combustion engine-powered cut-off machines using a rotating cut-off (abrasive) wheel that is center-mounted on and driven by a spindle shaft designed for cutting construction materials such as asphalt, concrete, stone, and metal.

BSR/OPEI B71.10-201x, ANS for Small Off-Road Ground-Supported Outdoor Power Equipment - Gasoline Fuel Systems - Performance Specifications and Test Procedures (revision of ANSI B71.10-2008)

Stakeholders: Manufacturers of outdoor power equipment, suppliers, distributors, governmental agencies, testing entities, and consumers.

Project Need: To clarify leak test procedure, cyclic pressure integrity test, elevated temperature fuel soak test, and fuel line assembly tensile test. To add a new section on fuel tank overfill test.

Describes performance based test procedures applicable to the gasoline fuel systems for small off-road ground-supported outdoor power equipment with spark ignition engines of less than one liter displacement.

TAPPI (Technical Association of the Pulp and Paper Industry)

Office: 15 Technology Parkway South
Norcross, GA 30092

Contact: *Charles Bohanan*

Fax: (770) 446-6947

E-mail: standards@tappi.org

BSR/TAPPI T 272 om-201x, Forming handsheets for reflectance testing of pulp (sheet machine procedure) (new standard)

Stakeholders: Manufacturers of pulp, paper, packaging, or related products, consumers or converters of such products, and suppliers of equipment, supplies, or raw materials for the manufacture of such products.

Project Need: To conduct required five-year review of an existing TAPPI standard in order to revise if needed to address new technology or correct errors.

This practice describes the procedure using the TAPPI sheet machine for preparing reflectance-testing specimen sheets of bleached or unbleached pulp whose fibers are readily dispersed in water. This practice permits the preparation of sheets having a smooth and reproducible surface for reflectance measurements with a minimum of washing or contamination of the sample. The pulp sample slurry is adjusted to a pH of 6.5 plus or minus 0.5.

BSR/TAPPI T 839 om-201x, Edgewise compressive strength of corrugated fiberboard using the clamp method (short column test) (new standard)

Stakeholders: Manufacturers of pulp, paper, packaging, or related products, consumers or converters of such products, and suppliers of equipment, supplies, or raw materials for the manufacture of such products.

Project Need: To conduct required five-year review of an existing TAPPI standard in order to revise if needed to address new technology or correct errors.

This method describes procedures for determining the edgewise compressive strength, with flutes vertical, loading perpendicular to the axis of the flutes, of a short column of single-, double-, or triple-wall corrugated fiberboard. The method includes procedures for cutting the test specimen (saw cutting and knife cutting), one procedure for specimen support (spring support clamp fixture), and two procedures for applying the compressive force (constant-strain rate, or constant-load rate).

UL (Underwriters Laboratories, Inc.)

Office: 333 Pfingsten Road
Northbrook, IL 60062

Contact: *Megan VanHeirseele*

Fax: (847) 664-2881

E-mail: Megan.M.VanHeirseele@ul.com

BSR/UL 1989-201x, Standby Batteries (new standard)

Stakeholders: UPS manufacturers and groups that need uninterruptible power supplies such as hospitals, telecom, etc., utilities, auto manufacturers, PV and wind generator manufacturers, battery and cell manufacturers, railroads, municipalities

Project Need: Create new standard.

These requirements cover instrument batteries, enclosed batteries, emergency lighting and power batteries and uninterruptible power supply batteries. They only address potential risks unique to the utilization of a battery supply in a product. They do not cover risks that may be unique to certain cell chemistries, such as the fire and explosion risks of lithium batteries.

WMMA (ASC O1) (Wood Machinery Manufacturers of America)

Office: 500 Citadel Drive Suite 200
Commerce, CA 90040

Contact: *Harold Zassenhaus*

Fax: (323) 215-0331

E-mail: hzassenhaus@wmma.org

BSR WMMA 01.1-3-201x, Safety Standards for CNC Machining
Centers (new standard)

Stakeholders: Wood machinery equipment producers and users

Project Need: Currently no machine specific standard exists.

The standard covers the safety requirements for the design, installation, care and use of CNC machining centers and certain related accessory equipment, used in industrial and commercial applications, having a total connected power of 5hp (3.7 KW) or greater, or having 3-phase wiring.

American National Standards Maintained Under Continuous Maintenance

The ANSI Essential Requirements: Due Process Requirements for American National Standards provide two options for the maintenance of American National Standards (ANS): periodic maintenance (see clause 4.7.1) and continuous maintenance (see clause 4.7.2). Continuous maintenance is defined as follows:

The standard shall be maintained by an accredited standards developer. A documented program for periodic publication of revisions shall be established by the standards developer. Processing of these revisions shall be in accordance with these procedures. The published standard shall include a clear statement of the intent to consider requests for change and information on the submittal of such requests. Procedures shall be established for timely, documented consensus action on each request for change and no portion of the standard shall be excluded from the revision process. In the event that no revisions are issued for a period of four years, action to reaffirm or withdraw the standard shall be taken in accordance with the procedures contained in the ANSI Essential Requirements.

The Executive Standards Council (ExSC) has determined that for standards maintained under the Continuous Maintenance option, separate PINS announcements are not required. The following ANSI Accredited Standards Developers have formally registered standards under the Continuous Maintenance option.

- AAMI (Association for the Advancement of Medical Instrumentation)
- AAMVA (American Association of Motor Vehicle Administrators)
- AGA (American Gas Association)
- AGRSS, Inc. (Automotive Glass Replacement Safety Standards Committee, Inc.)
- ASC X9 (Accredited Standards Committee X9, Incorporated)
- ASHRAE (American Society of Heating, Refrigerating and Air-Conditioning Engineers, Inc.)
- ASME (American Society of Mechanical Engineers)
- ASTM (ASTM International)
- GEIA (Greenguard Environmental Institute)
- HL7 (Health Level Seven)
- MHI (ASC MH10) (Material Handling Industry)
- NAHBRC (NAHB Research Center, Inc.)
- NBBPVI (National Board of Boiler and Pressure Vessel Inspectors)
- NCPDP (National Council for Prescription Drug Programs)
- NISO (National Information Standards Organization)
- NSF (NSF International)
- TIA (Telecommunications Industry Association)
- UL (Underwriters Laboratories, Inc.)

To obtain additional information with regard to these standards, such as contact information at the ANSI accredited standards developer, please visit ANSI Online at www.ansi.org, select Internet Resources, click on "Standards Information," and see "American National Standards Maintained Under Continuous Maintenance". This information is also available directly at www.ansi.org/publicreview.

Alternatively, you may contact the Procedures & Standards Administration Department (PSA) at psa@ansi.org or via fax at 212-840-2298. If you request that information be provided via E-mail, please include your E-mail address; if you request that information be provided via fax, please include your fax number. Thank you.

ANSI-Accredited Standards Developers Contact Information

The addresses listed in this section are to be used in conjunction with standards listed in PINS, Call for Comment and Final Actions. This section is a list of developers who have submitted standards for this issue of *Standards Action* – it is not intended to be a list of all ANSI-Accredited Standards Developers. Please send all address corrections to Standards Action Editor at standact@ansi.org.

<p>3-A 3-A Sanitary Standards, Inc. 6888 Elm Street, Suite 2D McLean, VA 22101-3829 Phone: (703) 790-0295 Fax: (703) 761-6284 Web: www.3-a.org</p>	<p>ASABE American Society of Agricultural and Biological Engineers 2950 Niles Road St Joseph, MI 49085 Phone: (269) 932-7015 Fax: (269) 429-3852 Web: www.asabe.org</p>	<p>BIFMA Business and Institutional Furniture Manufacturers Association 678 Front Ave. NW Grand Rapids, MI 49504 Phone: 616-285-3963 Fax: 616-285-3765 Web: www.bifma.org</p>	<p>NCPDP National Council for Prescription Drug Programs 9240 East Raintree Drive Scottsdale, AZ 85260 Phone: (512) 291-1356 Fax: (480) 767-1042 Web: www.ncdp.org</p>
<p>AAMI Association for the Advancement of Medical Instrumentation 4301 N. Fairfax Dr., Ste. 301 Suite 301 Arlington, VA 22203-1633 Phone: (703) 253-8284 Fax: (703) 276-0793 Web: www.aami.org</p>	<p>ASME American Society of Mechanical Engineers 3 Park Avenue, 20th Floor (20N2) New York, NY 10016 Phone: (212) 591-8521 Fax: (212) 591-8501 Web: www.asme.org</p>	<p>CSA CSA America, Inc. 8501 E. Pleasant Valley Rd. Cleveland, OH 44131 Phone: (216) 524-4990 Fax: (216) 520-8979 Web: www.csa-america.org</p>	<p>NSF NSF International 789 N. Dixboro Road Ann Arbor, MI 48105 Phone: (734) 827-5643 Fax: (734) 827-7880 Web: www.nsf.org</p>
<p>ABYC American Boat and Yacht Council 613 Third Street Suite 10 Annapolis, MD 21403 Phone: (410) 990-4460 Fax: (410) 990-4466 Web: www.abycinc.org</p>	<p>ASNT American Society for Nondestructive Testing 1711 Arlingate Lane P.O. Box 28518 Columbus, OH 43228-0518 Phone: (614) 274-6003 Fax: (614) 274-6899 Web: www.asnt.org</p>	<p>FCI Fluid Controls Institute 1300 Sumner Ave. Cleveland, OH 44115 Phone: (216) 241-7333 Fax: (216) 241-0105 Web: www.fluidcontrolsintstitute.org</p>	<p>OPEI Outdoor Power Equipment Institute 341 South Patrick Street Alexandria, VA 22314 Phone: (703) 549-7600, ext. 24 Fax: (703) 549-7604 Web: opei.mow.org</p>
<p>AHRI Air-Conditioning, Heating, and Refrigeration Institute 2111 Wilson Boulevard Suite 500 Arlington, VA 22201 Phone: (703) 600-0327 Fax: (703) 562-1942 Web: www.ahrinet.org</p>	<p>ASSE (Organization) American Society of Sanitary Engineering 901 Canterbury Road, Suite A Westlake, OH 44145-1480 Phone: (440) 835-3040 Fax: (440) 835-3488 Web: www.asse-plumbing.org</p>	<p>HL7 Health Level Seven 3300 Washtenaw Avenue Suite 227 Ann Arbor, MI 48104 Phone: (734) 677-7777 Ext 104 Fax: (734) 677-6622 Web: www.hl7.org</p>	<p>PLASA PLASA North America 630 Ninth Avenue, Suite 609 New York, NY 10036-3748 Phone: (212) 244-1505 Fax: (212) 244-1502 Web: www.plasa.org</p>
<p>AIHA (ASC Z9) American Industrial Hygiene Association 2700 Prosperity Avenue, Suite 250 Fairfax, VA 22031 Phone: (703) 846-0794 Fax: (703) 207-8558 Web: www.aiha.org</p>	<p>ASTM ASTM International 100 Barr Harbor Drive West Conshohocken, PA 19428-2959 Phone: (610) 832-9743 Fax: (610) 834-3655 Web: www.astm.org</p>	<p>ILTVA International Light Transportation Vehicle Association, Inc. 2 Ravinia Drive, Suite 1200 Atlanta, GA 30346-2112 Phone: (770) 394-7200 Fax: (770) 454-0138 Web: www.ngcma.org</p>	<p>SCTE Society of Cable Telecommunications Engineers 140 Philips Rd. Exton, PA 19341 Phone: (610) 594-7308 Fax: (610) 363-5898 Web: www.scte.org</p>
<p>APCO Association of Public-Safety Communications Officials- International 351 N. Williamson Boulevard Daytona Beach, FL 32114-1112 Phone: (919) 625-6864 Fax: (386) 944-2794 Web: www.apcolntl.org</p>	<p>ATIS Alliance for Telecommunications Industry Solutions 1200 G Street, NW Suite 500 Washington, DC 20005 Phone: (202) 434-8841 Fax: (202) 347-7125 Web: www.atis.org</p>	<p>ITI (INCITS) InterNational Committee for Information Technology Standards 1101 K Street NW, Suite 610 Washington, DC 20005 Phone: (202) 626-5743 Fax: (202) 638-4922 Web: www.incits.org</p>	<p>TAPPI Technical Association of the Pulp and Paper Industry 15 Technology Parkway South Norcross, GA 30092 Phone: (770) 209-7276 Fax: (770) 446-6947 Web: www.tappi.org</p>
<p>API (Organization) American Petroleum Institute 1220 L Street, NW Washington, DC 20005-4070 Phone: (202) 682-8157 Fax: (202) 682-8051 Web: www.api.org</p>	<p>AWS American Welding Society 550 N.W. LeJeune Road Miami, FL 33126 Phone: (305) 443-9353 Fax: (305) 443-5951 Web: www.aws.org</p>	<p>MTS Institute for Market Transformation to Sustainability 1511 Wisconsin Avenue, NW Washington, DC 20007 Phone: (202) 338-3131 Fax: (202) 338-2800 Web: www.sustainableproducts.com/</p>	<p>UL Underwriters Laboratories, Inc. 1285 Walt Whitman Road Melville, NY 11747 Phone: (631) 546-2593 Fax: (631) 546-2593 Web: www.ul.com/</p>

VITA

VMEbus International Trade
Association (VITA)

PO Box 19658
Fountain Hills, AZ 85269
Phone: (480) 837-7486
Fax: (480) 837-7486
Web: www.vita.com/

WMMA (ASC O1)

Wood Machinery Manufacturers of
America

500 Citadel Drive Suite 200
Commerce, CA 90040
Phone: (301) 652-0693
Fax: (323) 215-0331
Web: www.wmma.org



IEC Draft International Standards

This section lists proposed standards that the International Electrotechnical Commission (IEC) is considering for approval. The proposals have received substantial support within the technical committees or subcommittees that developed them and are now being circulated to IEC members for comment and vote. Standards Action readers interested in reviewing and commenting on these documents should order copies from ANSI.

Comments

Comments regarding IEC documents should be sent to Charles T. Zegers, at ANSI's New York offices. The final date for offering comments is listed after each draft.

Ordering Instructions

IEC Drafts can be made available by contacting ANSI's Customer Service department. Please e-mail your request for an IEC Draft to Customer Service at sales@ansi.org. When making your request, please provide the date of the Standards Action issue in which the draft document you are requesting appears.

-
- 17A/997/FDIS, IEC 62271-107 Ed 2.0: High-voltage switchgear and controlgear - Part 107: Alternating current fused circuit-switchers for rated voltages above 1 kV up to and including 52 kV, 05/04/2012
- 17B/1769/FDIS, IEC 60947-4-1 am1 Ed. 3.0: Low-voltage switchgear and controlgear - Part 4-1: Contactors and motor-starters - Electromechanical contactors and motor-starter, 05/11/2012
- 23H/282/FDIS, Amendment 2 to IEC 60309-1 Ed 4: Plugs, socket-outlets and couplers for industrial purposes - Part 1: General requirements, 05/11/2012
- 48D/509/FDIS, IEC 60917-2-5 Ed 1.0: Modular order for the development of mechanical structures for electronic equipment practices - Part 2-5: Sectional specification - Interface coordination dimensions for the 25 mm equipment practice - Cabinet interface dimensions for miscellaneous equipment, 05/04/2012
- 62D/990/FDIS, IEC 60601-2-26 Ed.3.0: Medical electrical equipment - Part 2-26: Particular requirements for the basic safety and essential performance of electroencephalographs, 05/11/2012
- 86B/3394/FDIS, IEC 61300-3-38/Ed1: Fibre optic interconnecting devices and passive components - Basic test and measurement procedures - Part 3-38: Examinations and measurements - Group delay, chromatic dispersion and phase ripple, 05/04/2012
- 2/1660/FDIS, IEC 60034-18-34 Ed.1: Rotating electrical machines - Part 18-34: Functional evaluation of insulation systems - Test procedures for form-wound windings - Evaluation of thermomechanical endurance of insulation systems, 05/04/2012
- 33/499/FDIS, IEC 60358-1/Ed1: Coupling capacitors and capacitor dividers - Part 1: Common clauses, 05/11/2012
- 18/1254/FDIS, IEC/ISO/IEEE 80005-1 Ed. 1: Utility connections in port - Part 1: High Voltage Shore Connection (HVSC) Systems - General requirements, 05/04/2012



Newly Published ISO Standards

Listed here are new and revised standards recently approved and promulgated by ISO - the International Organization for Standardization. Most are available at the ANSI Electronic Standards Store (ESS) at www.ansi.org. All paper copies are available from Standards resellers (<http://webstore.ansi.org/faq.aspx#resellers>).

ISO/IEC JTC 1 Technical Reports

ISO/IEC TR 29149:2012, Information technology - Security techniques
- Best practices for the provision and use of time-stamping services,
\$104.00

ACOUSTICS (TC 43)

ISO 26101:2012, Acoustics - Test methods for the qualification of free-field environments, \$104.00

ISO 8253-3:2012, Acoustics - Audiometric test methods - Part 3:
Speech audiometry, \$122.00

BANKING AND RELATED FINANCIAL SERVICES (TC 68)

ISO 16609:2012, Financial services - Requirements for message authentication using symmetric techniques, \$65.00

CERAMIC TILE (TC 189)

ISO 13006:2012, Ceramic tiles - Definitions, classification, characteristics and marking, \$157.00

ERGONOMICS (TC 159)

ISO 28802:2012, Ergonomics of the physical environment - Assessment of environments by means of an environmental survey involving physical measurements of the environment and subjective responses of people, \$98.00

INFORMATION AND DOCUMENTATION (TC 46)

ISO 27729:2012, Information and documentation - International standard name identifier (ISNI), \$86.00

MICROBEAM ANALYSIS (TC 202)

ISO 11938:2012, Microbeam analysis - Electron probe microanalysis - Methods for elemental-mapping analysis using wavelength-dispersive spectroscopy, \$65.00

OTHER

ISO 17076-1:2012, Leather - Determination of abrasion resistance - Part 1: Taber method, \$49.00

PETROLEUM PRODUCTS AND LUBRICANTS (TC 28)

ISO 13032:2012, Petroleum products - Determination of low concentration of sulfur in automotive fuels - Energy-dispersive X-ray fluorescence spectrometric method, \$73.00

PULLEYS AND BELTS (INCLUDING VEEBELTS) (TC 41)

ISO 12046:2012, Synchronous belt drives - Automotive belts - Determination of physical properties, \$65.00

SAFETY OF TOYS (TC 181)

ISO 8124-1/Amd2:2012, Safety of toys - Part 1: Safety aspects related to mechanical and physical properties - Amendment 2: Magnets, \$16.00

STEEL (TC 17)

ISO 15177:2012, Hot-rolled twin-roll cast carbon steel sheet of commercial quality, \$57.00

ISO 15179:2012, Hot-rolled twin-roll cast steel sheet of structural quality and high strength steel, \$65.00

ISO 15208:2012, Continuous hot-dip zinc-coated twin-roll cast steel sheet of commercial quality, \$73.00

ISO 15211:2012, Continuous hot-dip zinc-coated twin-roll cast steel sheet of structural quality and high strength steel, \$80.00

WATER QUALITY (TC 147)

ISO 14371:2012, Water quality - Determination of fresh water sediment toxicity to *Heterocypris incongruens* (Crustacea, Ostracoda), \$86.00

ISO Technical Reports

HEALTH INFORMATICS (TC 215)

ISO/TR 14292:2012, Health informatics - Personal health records - Definition, scope and context, \$98.00

ISO Technical Specifications

ENVIRONMENTAL MANAGEMENT (TC 207)

ISO/TS 14033:2012, Environmental management - Quantitative environmental information - Guidelines and examples, \$135.00

ISO/IEC JTC 1, Information Technology

ISO/IEC 26300/Amd1:2012, Information Technology - Open Document Format for Office Applications (OpenDocument) v1.1, \$206.00

ISO/IEC 9798-2/Cor2:2012, Information technology - Security techniques - Entity authentication - Part 2: Mechanisms using symmetric encipherment algorithms - Corrigendum 2, FREE

ISO/IEC 9798-3/Cor2:2012, Information technology - Security techniques - Entity authentication - Part 3: Mechanisms using digital signature techniques - Corrigendum 2, FREE

ISO/IEC 13818-1/Amd5:2012, Information technology - Generic coding of moving pictures and associated audio information: Systems - Amendment 5: Transport of JPEG 2000 Part 1 (ITU-T Rec T.800 | ISO/IEC 15444-1) video over ITU-T Rec H.222.0 | ISO/IEC 13818-1, \$16.00

ISO/IEC 14443-2/Amd3:2012, Identification cards - Contactless integrated circuit cards - Proximity cards - Part 2: Radio frequency power and signal interface - Amendment 3: Bits rates of $fc/8$, $fc/4$ and $fc/2$, \$16.00

ISO/IEC 29167-1:2012, Information technology - Automatic identification and data capture techniques - Part 1: Air interface for security services and file management for RFID architecture, \$57.00

ISO/IEC 29199-5:2012, Information technology - JPEG XR image coding system - Part 5: Reference software, \$65.00

Registration of Organization Names in the United States

The Procedures for Registration of Organization Names in the United States of America (document ISSB 989) require that alphanumeric organization names be subject to a 90-day Public Review period prior to registration. For further information, please contact the Registration Coordinator at (212) 642-4946.

The following is a list of alphanumeric organization names that have been submitted to ANSI for registration. Alphanumeric names appearing for the first time are printed in bold type. Names with confidential contact information, as requested by the organization, list only public review dates.

PUBLIC REVIEW

New York City Health and Hospital Corporation

Public Review: February 10 to May 6, 2012

NOTE: Challenged alphanumeric names are underlined. The Procedures for Registration provide for a challenge process, which follows in brief. For complete details, see Section 6.4 of the Procedures.

A challenge is initiated when a letter from an interested entity is received by the Registration Coordinator. The letter shall identify the alphanumeric organization name being challenged and state the rationale supporting the challenge. A challenge fee shall accompany the letter. After receipt of the challenge, the alphanumeric organization name shall be marked as challenged in the Public Review list. The Registration Coordinator shall take no further action to register the challenged name until the challenge is resolved among the disputing parties.

Proposed Foreign Government Regulations

Call for Comment

U.S. manufacturers, exporters, regulatory agencies and standards developing organizations may be interested in proposed foreign technical regulations issued by Member countries of the World Trade Organization (WTO). In accordance with the WTO Agreement on Technical Barriers to Trade (TBT Agreement), Members are required to report proposed technical regulations that may significantly affect trade to the WTO Secretariat in Geneva, Switzerland. In turn, the Secretariat disseminates the information to all WTO Members. The purpose of this requirement is to provide global trading partners with an opportunity to review and comment on the regulations before they become final.

The National Center for Standards and Certification Information (NCSCI) at the National Institute of Standards and Technology

(NIST), distributes these proposed foreign technical regulations to U.S. stakeholders via an online service, Notify U.S. Notify U.S. is an e-mail and Web service that allows interested U.S. parties to register, obtain notifications, and read full texts of regulations from countries and for industry sectors of interest to them. To register for Notify U.S., please go to Internet URL: <http://www.nist.gov/notifyus/> and click on "Subscribe".

NCSCI is the WTO TBT Inquiry Point for the U.S. and receives all notifications and full texts of regulations to disseminate to U.S. Industry. For further information, please contact: NCSCI, NIST, 100 Bureau Drive, Gaithersburg, MD 20899-2160; Telephone: (301) 975-4040; Fax: (301) 926-1559; E-mail: ncsci@nist.gov or notifyus@nist.gov.

Information Concerning

American National Standards

INCITS Executive Board

ANSI Accredited SDO and US TAG to ISO/IEC JTC 1, Information Technology

The InterNational Committee for Information Technology Standards (INCITS), an ANSI accredited SDO, is the forum for information technology developers, producers and users for the creation and maintenance of formal de jure IT standards. INCITS' mission is to promote the effective use of Information and Communication Technology through standardization in a way that balances the interests of all stakeholders and increases the global competitiveness of the member organizations.

The INCITS Executive Board serves as the consensus body with its oversight of programs of its 40+ Technical Committees. Additionally, the INCITS Executive Board exercises international leadership in its role as the US Technical Advisory Group (TAG) to ISO/IEC JTC 1, Information Technology.

The INCITS Executive Board seeks to broaden its membership base and is recruiting new participants in the following membership categories:

- special interest (user, academic, consortia)
- non-business (government and major/minor SDOs)

Membership in the INCITS Executive Board is open to all directly and materially affected parties in accordance with INCITS membership rules. To find out more about participating on the INCITS Executive Board, please contact Jennifer Garner at 202-626-5737 or jgarner@itic.org. Visit www.INCITS.org for more information regarding INCITS activities.

Call for Members

Society of Cable Telecommunications

ANSI Accredited Standards Developer

SCTE, an ANSI-accredited SDO, is the primary organization for the creation and maintenance of standards for the cable telecommunications industry. SCTE's standards mission is to develop standards that meet the needs of cable system operators, content providers, network and customer premises equipment manufacturers, and all others who have an interest in the industry through a fair, balanced and transparent process.

SCTE is currently seeking to broaden the membership base of its ANS consensus bodies and is interested in new members in all membership categories to participate in new work in fiber-optic networks, advanced advertising, 3D television, and other important topics. Of particular interest is membership from the content (program and advertising) provider and user communities.

Membership in the SCTE Standards Program is open to all directly and materially affected parties as defined in SCTE's membership rules and operating procedures. More information is available at www.scte.org or by email from standards@scte.org.

ANSI Accredited Standards Developers

Administrative Reaccreditations

ACS Z97 – Safety Requirements for Architectural Glazing Material

At the direction of ANSI's Executive Standards Council (ExSC), the reaccreditation of Accredited Standards Committee Z97, Safety Requirements for Architectural Glazing Material, has been administratively approved under the ASC's recently revised operating procedures for documenting consensus on ASC Z97-sponsored American National Standards, effective March 13, 2012. For additional information, please contact the Secretariat of ASC Z97, the Glazing Industry Secretariat Committee: Ms. Julia Schimmelpenninck, Global Architectural Applications Manager, Advanced Interlayers – Solutia, Inc., 730 Worcester Street, Springfield, MA 01151; phone: 413.730.3413; fax: 508.861.0127; E-mail: jcschi@solutia.com.

ARMA International

At the direction of ANSI's Executive Standards Council (ExSC), the reaccreditation of ARMA International, a full ANSI Organizational Member, has been administratively approved under its recently revised operating procedures for documenting consensus on ARMA International-sponsored American National Standards, effective March 13, 2012. For additional information, please contact: Nancy D. Barnes, PhD, CRM, CA, ARMA International, 11880 College Boulevard, Suite 450, Overland Park, KS 66210; phone: 913.312.5565; E-mail: standards@armaintl.org.

Application for Membership

ACCT Consensus Group

The Association for Challenge Course Technology (ANSI Accredited Standards Developer) is currently accepting applications from individuals willing to serve on the ACCT Consensus Group.

Membership is open to all interested parties having a direct and material interest in the activities of the Consensus Group. Selections by the Consensus Group shall give consideration to:

- need for active participation by members;
- need for balance;
- extent of interest expressed and willingness to participate;
- qualifications and ability to materially contribute.

To apply for consideration as a member of the ACCT Consensus Group, contact the ACCT Professional Services Manager for an electronic copy of the application form:

Bill Weaver
bill@acctinfo.org
 1-800-991-0286, extension 913

NOTE: Complete and return your applications electronically.

Approval of Reaccreditation

InfoComm International

At the direction of ANSI's Executive Standards Council (ExSC), the reaccreditation of *InfoComm International*, a full ANSI Organizational Member, has been administratively approved under its recently revised operating procedures for documenting consensus on InfoComm International-sponsored American National Standards, effective March 7, 2012. For additional information, please contact: Joseph Bocchiaro III, Ph.D., Vice-President of Standards and Industry Innovations, *InfoComm International*, 11242 Waples Mill Road, Suite 200, Fairfax, VA 22030; phone: 703.279.6370; Email: jbocchiaro@infocomm.org.

Withdrawal from Consideration

BSR/ASSE A10.2-201X, Safety, Health, and Environmental Training for construction and Demolition Operations

The ANSI Accredited A10 Committee for Construction and Demolition Operations (A10 ASC) is announcing that it has formally withdrawn the current working draft of the BSR/ASSE A10.2-201X Document titled: "Safety, Health, and Environmental Training for Construction and Demolition Operations". The draft document has been completely withdrawn from consideration, but the project itself has not been withdrawn. The A10.2 Subgroup is starting over again with the document and is putting together a draft standard for review by the full committee. Any organization/individual who provided public review comments addressing the initial draft during April 2009 will automatically receive the next draft if/when it is released for public review by the A10 ASC. Any questions or inquiries should be directed to Timothy R. Fisher, CSP, ARM, CPEA, Director, Practices and Standards, American Society of Safety Engineers (ASSE), 1800 East Oakton Street, Des Plaines, IL 60018; phone: (847) 768-3411; Fax: (847) 296-9221; Email: TFisher@ASSE.Org.

ANSI Accreditation Program for Greenhouse Gas Verification/Validation Bodies

Initial Accreditation

SES, Inc.

Comment Deadline: April 16, 2012

SES, Inc.

Rob Dobson, Director of Carbon Verification Services
6750 Antioch Road, Suite 305
Merriam, KS 66204
Tel: 913-307-0046
E-mail: rdobson@ses-corp.com

On February 29, 2012 the ANSI Greenhouse Gas Validation/Verification Accreditation Committee voted to approve an initial accreditation for SES, Inc. for the following:

Standards:

ISO 14065, Greenhouse gases – Requirements for greenhouse gas validation and verification bodies for use in accreditation or other forms of recognition

Scopes:

Verification of assertions related to GHG emission reductions and removals at the project level

Sector Group 05. Livestock

Sector Group 06. Waste Handling and Disposal

Please send your comments by April 16, 2012 to Ann Bowles, Director, Environmental Accreditation Programs, American National Standards Institute, 1899 L Street, NW, 11th Floor, Washington, DC 20036, Fax: 202-293-9287, or e-mail: abowles@ansi.org.

ANSI Accreditation Program for Third Party Product Certification Agencies

Scope Extension

Bay Area Compliance Laboratories Corporation (BACL)

Comment Deadline: April 16, 2012

Mr. Kaveh Moraghebi
Quality Assurance Manager
Bay Area Compliance Laboratories Corp. (BACL)
1274 Anvilwood Avenue
Sunnyvale, CA 94089
Tel: 408-732-9162
Fax: 408-732-9164
E-mail: kaveh@baclcorp.com
Web: www.baclcorp.com

Bay Area Compliance Laboratories Corp. (BACL), an ANSI-accredited certification body, has extended its scope of ANSI accreditation to include the following:

Info-Communications Development Authority of Singapore Scheme for Recognizing Foreign Testing Laboratories and Certification Bodies for Conformity Assessment of Telecommunication Equipment – iDA MRA REC Scheme

iDA TS CBS
iDA TS CMT
iDA TS UWB
iDA TS WBA

Hong Kong Telecommunications Equipment Evaluation and Certification (HKTEC) Scheme

OFTA Radio Equipment Specifications (HKTA 10XX)

HKTA 1002
HKTA 1005
HKTA 1016
HKTA 1020
HKTA 1034
HKTA 1035
HKTA 1039
HKTA 1041
HKTA 1042
HKTA 1043
HKTA 1044
HKTA 1045
HKTA 1046
HKTA 1047
HKTA 1048
HKTA 1049
HKTA 1050
HKTA 1052
HKTA 1053
HKTA 1054
HKTA 1056
HKTA 1057
HKTA 1061

OFTA Fixed Network Equipment Specifications (HKTA 2XXX)

HKTA 2001
 HKTA 2011
 HKTA 2012
 HKTA 2013
 HKTA 2014
 HKTA 2015
 HKTA 2016
 HKTA 2019
 HKTA 2020
 HKTA 2023
 HKTA 2024
 HKTA 2026
 HKTA 2028
 HKTA 2029
 HKTA 2030
 HKTA 2031
 HKTA 2032
 HKTA 2033
 HKTA 2034
 HKTA 2036
 HKTA 2201
 HKTA 2202

Please send your comments by April 16, 2012 to Reinaldo Balbino Figueiredo, Senior Program Director, Product Certifier Accreditation, American National Standards Institute, 1899 L Street, NW, 11th Floor, Washington, DC 20036, Fax: 202-293-9287 or e-mail: rfigueir@ansi.org, or Nikki Jackson, Senior Program Manager, Product Certifier Accreditation, American National Standards Institute, 1899 L Street, NW, 11th Floor, Washington, DC 20036, Fax: 202-293-9287 or e-mail: njackson@ansi.org.

Withdrawal of Request for Scope Extension**Curtis-Strauss, LLC****Comment Deadline: April 16, 2012**

Ms. Annie Luttmann, Quality Manager
Curtis-Straus, LLC
 One Distribution Center Circle, Suite #1
 Littleton, MA 01460
 Tel: 978-486-8880
 Fax: 978-486-8828
 E-mail: annie.luttmann@us.bureauveritas.com

Curtis-Straus, LLC, an ANSI-accredited certification body, has requested a withdrawal of its request for a scope extension for:

- B. Japan MIC Radio Law
 - B1. Specified Radio Equipment specified in Article 38-2, paragraph 1, item 1 of the Radio Law

Please send your comments by April 16, 2012 to Reinaldo Balbino Figueiredo, Senior Program Director, Product Certifier Accreditation, American National Standards Institute, 1899 L Street, NW, 11th Floor, Washington, DC 20036, Fax: 202-293-9287 or e-mail: rfigueir@ansi.org, or Nikki Jackson, Senior Program Manager, Product Certifier Accreditation, American National Standards Institute, 1899 L Street, NW, 11th Floor, Washington, DC 20036, Fax: 202-293-9287 or e-mail: njackson@ansi.org.

International Organization for Standardization (ISO)**Calls for US/TAG and US/TAG Administrators****ISO/TC 268 – Sustainable Development in Communities**

The ISO Technical Management board has created a new ISO Technical Committee on Sustainable development in communities (ISO/TC 268). The secretariat has been assigned to AFNOR (France). The new technical committee has the following scope:

Standardization in the field of Sustainable Development in Communities will include requirements, guidance and supporting techniques and tools to help all kind of communities, their related subdivisions and interested and concerned parties become more resilient and sustainable and demonstrate achievements in that regard.

The proposed series of International Standards will thus encourage the development and implementation of holistic, cross-sector and area-based approaches to sustainable development in communities. As appears in the program of work, it will include Management System Requirement, Guidance and Related standards.

Organizations interested in serving as the US/TAG administrator or participating on the US/TAG should contact ANSI's ISO Team at isot@ansi.org.

ISO/TC 268/SC 1 – Smart Urban Infrastructure Metrics

The ISO Technical Management board has created a Subcommittee on Smart Urban Infrastructure Metrics (ISO/TC 268/SC 1). The secretariat has been assigned to JISC (Japan).

Organizations interested in serving as the US/TAG administrator or participating on the US/TAG should contact ANSI's ISO Team at isot@ansi.org.

New Work Item Proposal for a New ISO Standard**Glass Beads for Road Materials – Determination of Refractive Index using Secondary Rainbow Method****Comment Deadline: April 27, 2012**

ISO's Committee on Consumer Policy has submitted to ISO a new work item proposal for a new ISO standard on "Glass beads for road materials – Determination of refractive index using secondary rainbow method" with the following scope statement:

To provide a procedure for determining the refractive index of glass beads for road materials such as road marking materials and reflective films using the secondary rainbow method.

Anyone wishing to review the new work item proposal can request a copy of the proposal by contacting ANSI's ISO Team via email: isot@ansi.org with submission of comments to Steve Cornish (scornish@ansi.org) by close of business on Friday, April 27, 2012.

Proposals for New Fields of ISO Technical Activity

Machines Used for the Preparation and Processing of Plastics and Rubber

Comment Deadline: April 23, 2012

The Standards Administration of Italy (UNI) has submitted to ISO a proposal for a new field of ISO technical activity on the subject of Plastic and rubber machines, with the following scope statement:

Standardization in the field of machines used for the preparation and processing of plastics and rubber. The proposed ISO/TC will be responsible for the international standardization of the detailed safety requirements for a particular machine or group of machines. Such requirements are applicable to the design and construction of machinery used in the plastics and rubber industry, defining hazards, hazardous situations and events.

Anyone wishing to review the new work item proposal can request a copy of the proposal by contacting ANSI's ISO Team via email: isot@ansi.org with submission of comments to Steve Cornish (scornish@ansi.org) by close of business on Friday, April 23, 2012.

RTS, Road Traffic Safety, Management Standards

Comment Deadline: April 13, 2012

The Standards Administration of Sweden (SIS) has submitted to ISO a proposal to convert ISO Project Committee 241 - Road Traffic Safety Management System into a new ISO technical committee with an expanded scope and work program. The proposed scope for this new ISO technical committee is:

Standardization in the field of RTS, Road traffic safety, management standards, needs, to be effective, to consist of (1) a requirement standard (which ISO 39001 will be), (2) RTS specific auditing requirements in third party certification, and (3) implementation and guidance documents

Anyone wishing to review the new work item proposal can request a copy of the proposal by contacting ANSI's ISO Team via email: isot@ansi.org with submission of comments to Steve Cornish (scornish@ansi.org) by close of business on Friday, April 13, 2012.

U.S. Technical Advisory Groups

Correction

U.S. TAG to ISO/TC 252 – Project Committee: Natural Gas Fueling Stations for Vehicles

Comment Deadline: April 2, 2012

Please note that the name of the TAG Administrator announced on the Application for Accreditation for a proposed U.S. TAG to ISO/TC 252: Project Committee: Natural Gas Fueling Stations for Vehicles in the March 2, 2012 issue of Standards Action was incorrectly listed as "CSA Standards" when it should have been announced as "CSA America, Inc." Any related questions or public comments on the application should be directed to: Mr. Josip Novkovic, CSA America, Inc., 8501 East Pleasant Valley Road, Independence, OH 44131; phone: 216.524.4990; Email: Josip.novkovic@csa-america.org by April 2, 2012 (please copy jthomps@ansi.org).

Tracking number 14i45r1
© 2012 NSF

Revision to NSF/ANSI 14 – 2011
Issue 45 Revision 1 (February 2012)

Not for publication. This draft text is for circulation for approval by the Joint Committee on Plastics and RV Plumbing Components and has not been published or otherwise officially promulgated. All rights reserved. This document may be reproduced for informational purposes only.

[Note – the changes are seen below using strikeout for removal of old text and gray highlights to show the suggested text. ONLY the highlighted text is within the scope of this ballot.]

NSF/ANSI Standard for Plastics –

Plastics piping system components and related materials

.

.

.

Table 10 – PE-water, PE-gas and PB pipe and tubing test frequency

Test	PEX tubing	PE pipe (water)	PE pipe (gas)	PB pipe	PE pipe (storm sewer)
bent tube hydrostatic sustained pressure (hot and cold)	annually	—	—	—	—
burst pressure ^{1,9}	24 h ¹¹	24 h ⁹	24 h ⁹	24 h ⁹	—
degree of crosslinking (gel content) ¹⁰	weekly	—	—	—	—
Dimensions					
pipe OD or ID	2 h	2 h	2 h	2 h	2 h
pipe wall thickness (minimum and maximum)	2 h	2 h	2 h	2 h	2 h
elevated temperature sustained pressure 80 °C (176 °F)	—	annually	—	—	—
elongation (microtensile) ²	—	—	—	annually	—
environmental stress crack resistance	annually	annually	—	—	—
excessive temperature and pressure capability of tubing and pipe ³	annually	—	—	annually	—
sustained pressure	annually	—	—	annually	—
chemical resistance	—	—	annually	—	—
elevated temperature service	—	—	annually	—	—
apparent tensile at yield or quick burst	—	—	annually	—	—
melt index	—	—	annually	—	—
Squeeze off	—	—	annually	—	—
thermal stability	—	—	annually	—	—

Tracking number 14i45r1
© 2012 NSF

Revision to NSF/ANSI 14 – 2011
Issue 45 Revision 1 (Febrary 2012)

Not for publication. This draft text is for circulation for approval by the Joint Committee on Plastics and RV Plumbing Components and has not been published or otherwise officially promulgated. All rights reserved. This document may be reproduced for informational purposes only.

Test	PEX tubing	PE pipe (water)	PE pipe (gas)	PB pipe	PE pipe (storm sewer)
inside surface ductility	—	—	annually	—	—
density	—	—	annually	—	—
stiffness					annually
flattening					annually
impact					weekly
product standards	ASTM F 876 ASTM F 877 CSA B137.5	ASTM D 2104 ASTM D 2239 ASTM D 2447 ASTM D 2737 ASTM D 3035 ASTM F 714 CSA B137.1 ⁸ AWWA C901 ⁴ AWWA C906 ⁵	ASTM D 2513 ⁷ CSA B137.4 ⁶	ASTM D 2666 ASTM D 3309 CSA B137.8	ASTM F 2306

¹ If one material is continuously used in several machines or sizes, then when a steady-state operation is obtained on each machine, sample selection shall be from a different extruder each day and rotated in sequence among all machines or sizes.

² Applies to ASTM D 2666 and D 3309 as referenced in 2 of this Standard.

³ Applies to ASTM D 3309 and F 877 as referenced in 2 of this Standard.

⁴ Pipe and tubing compliant to AWWA C901 shall have the option of following the QC requirements of AWWA C901 in place of Table 10.

⁵ Pipe and tubing compliant to AWWA C906 shall follow the QC requirements of AWWA C906.

⁶ Pipe compliant to CSA B137.4 shall meet the QC requirements of table 4 of CSA B137.4.

⁷ Pipe compliant to ASTM D2513 shall meet the QC requirement of table A3.2 of ASTM D2513.

⁸ Burst Pressure is not required for pipe listed to CSA B137.1.

⁹ Burst Test for pipe sizes 24-63" are tested once per week.

¹⁰ Degree of crosslinking samples shall be taken from normal production after the point in the process where the crosslinking reaction is nominally complete.

¹¹ Daily burst testing for PEX tubing shall be conducted for each material being extruded at either 180°F or 200°F.

— concluded —

Reason: Added footnote for PEX tubing per 2011 Plastics and RV Plumbing Components Joint Committee meeting (July 26, 2011).



**OUTDOOR POWER EQUIPMENT
INSTITUTE**

February 29, 2012

re: PUBLIC REVIEW – Revision of Figure 10 - *Operator zones for 95th percentile man* in **B71.1-201X** - Consumer Turf Care Equipment – Pedestrian-Controlled Mowers and Ride-On Mowers – Safety Specifications

The drawing for Figure 10 in the draft circulated with the 1st canvass ballot was incorrect. The drafting committee's intent was to revise Figure 10 to include a walk behind operator, but used a drawing which inadvertently modified the top view of the riding operator. The proposed revision corrects this technical error as well as a few editorial corrections of dimensions. For comparative purposes both the revised Figure 10 and the previous version are attached.

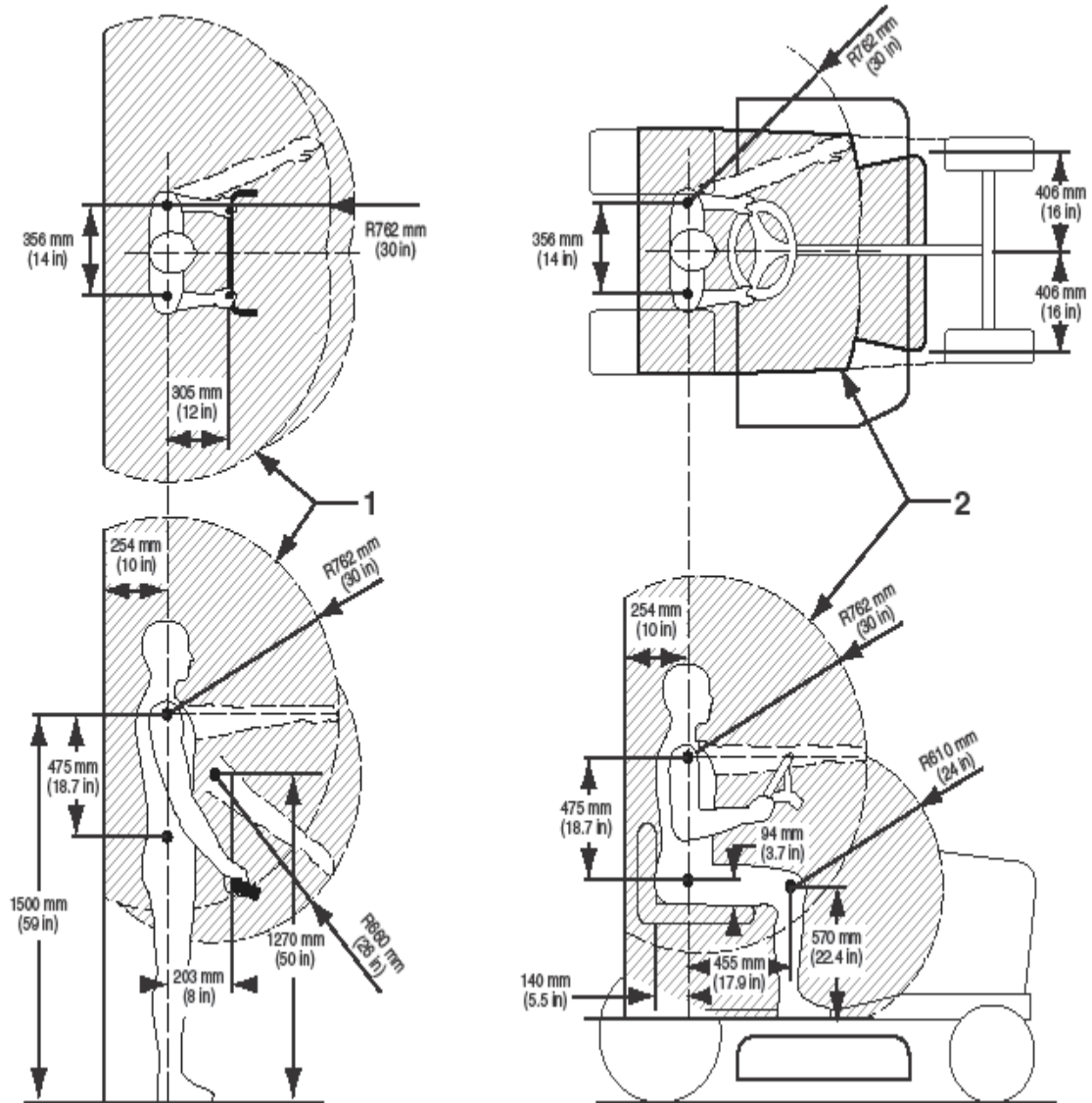
Daniel J. Mustico
Director, Industry Affairs
dmustico@opei.org

opei-B71.1-009 (public review)



OUTDOOR POWER EQUIPMENT
INSTITUTE

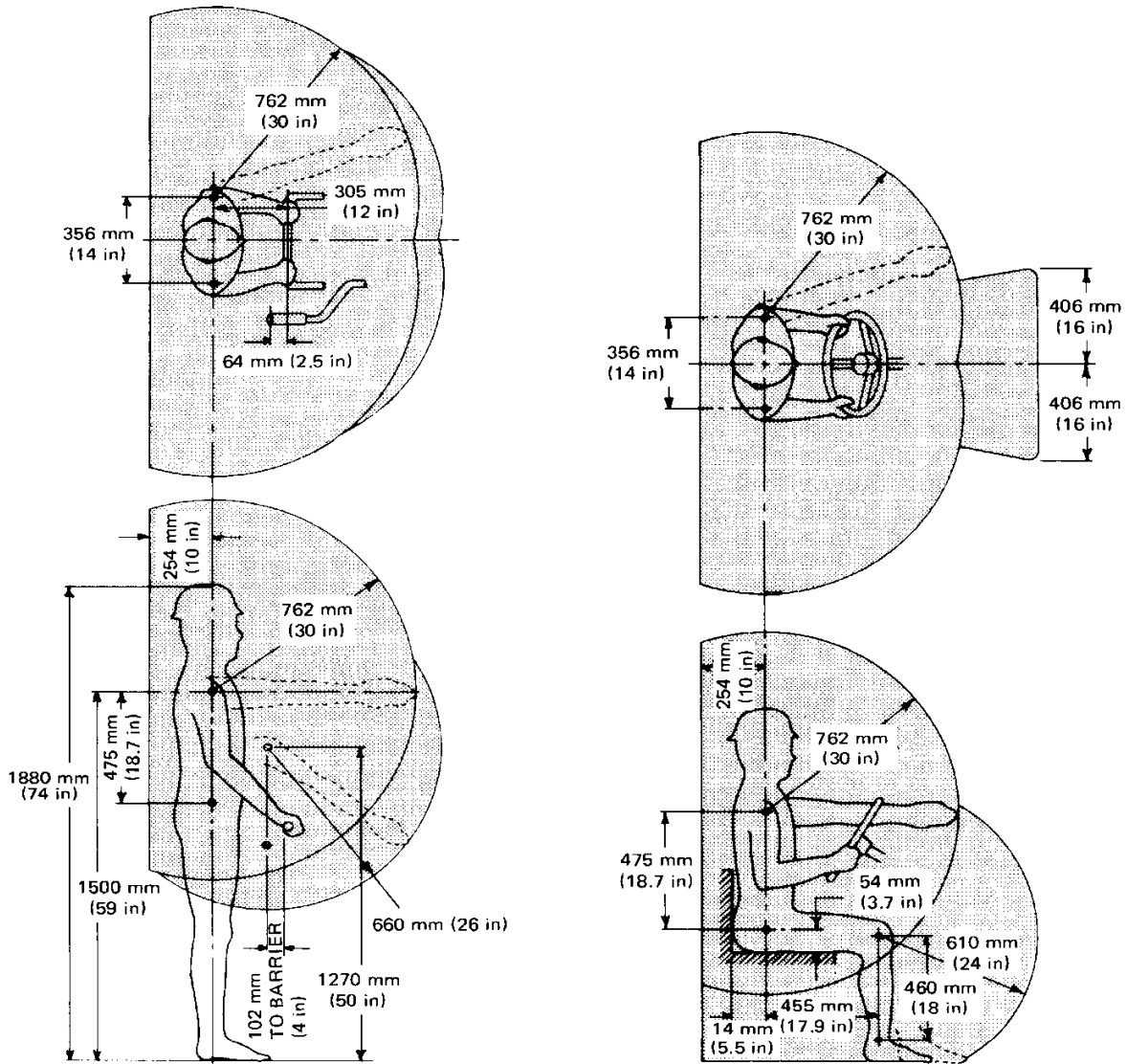
Revised Figure 10 – Operator zones for 95th percentile man





OUTDOOR POWER EQUIPMENT
INSTITUTE

Previous Figure 10 – Operator zones for 95th percentile man (1st canvass ballot, April 2011)



UL 2442

1. Proposed Deletion of 62.13 which Requires the Cycling Test to be Conducted Prior to the Mounting Securement Test

~~62.13 The cycling test shall be conducted prior to conducting the Mounting Securement Test, Section 63.~~