



ANSI New Member Orientation: International Policy Overview

Gary Kushnier
Vice President, International Policy

Contents



- ANSI International Engagement Vehicles
 - ISO/IEC
 - Regional interaction
 - Bilateral engagement
- International Policy Committee structure and mission
- Member Priorities
 - Compliance issue assistance
 - Trade facilitation
 - Policy advocacy

Snapshot: ANSI International, Regional, and Bilateral Activities

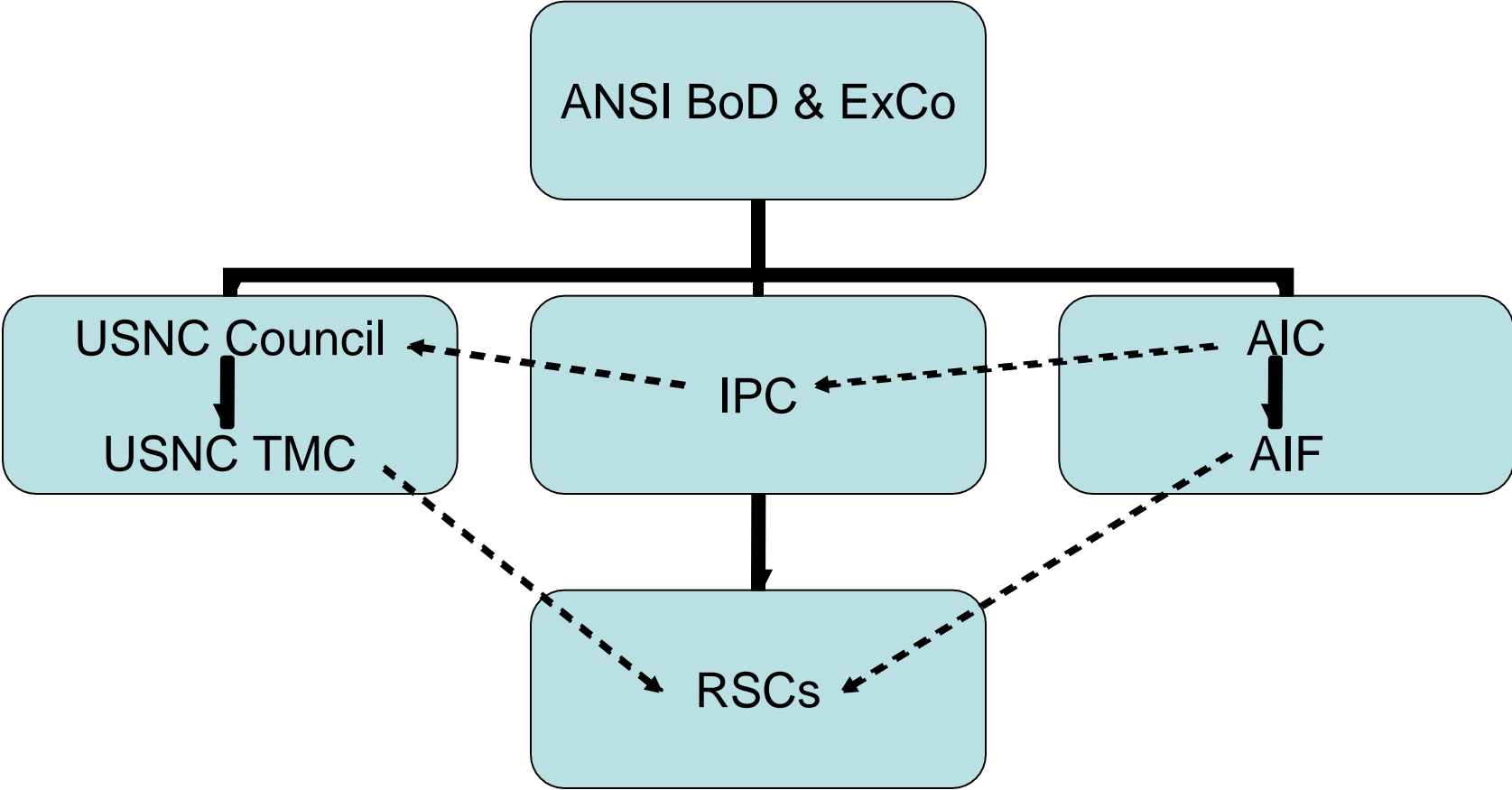




- U.S. member of ISO
- U.S. member of the IEC, via ANSI's U.S. National Committee
- a U.S. member of IAF and ILAC
- member of regional forums in the Pacific Rim and the Americas
- liaison with groups in Europe, Africa and the Middle East
- bilateral agreements with other national standards bodies



ANSI International Policy Structure



ANSI International & Regional Strategic Plan

ANSI IPC Mission



Develop and maintain ANSI's international strategies and goals for standards and conformity assessment to achieve these objectives:

- Foster global trade
- Meet societal needs related to security, safety, health, and the environment
- Promote fair play and equitable national treatment within global standardization infrastructures
- Promote effective leadership and technical expertise in international and regional organizations
- Protect intellectual property rights
- Enhance global competitiveness of U.S. business

ANSI Regional Standing Committees

- **RSC-Americas (RSC-A)**
 - Chair - Gene Eckhart, NEMA
 - **RSC-Asia Pacific (RSC-AP)**
 - Chair - Doug Durant, John Deere
 - **RSC-Europe, Middle East, and Africa (RSC-EMEA)**
 - Chair - Ileana Martinez, NIST
-
- Each RSC is established under the International Policy Committee (IPC) and meets 2-4 times per year in teleconference meetings
 - Clearinghouses of information specific to each geographic region - the RSC's are ANSI's primary communication tool for new developments and activities internationally
 - Prepare ANSI delegations for meetings of PASC, COPANT and ESO's

ANSI International Development Activities



- Manufacturer Member Roundtable in China
- International Guest Researcher Program
- ANSI China Program
 - Advocacy on key issues (transparency, conformity assessment, etc)
 - Tailored services for specific member needs
- U.S.-India Standards and Conformance Cooperation Program (SCCP)
- StandardsPortal

Member Priorities: Compliance Issue Assistance



Example: U.S.-China Conformity Assessment Project

- ANSI supported U.S. Department of Commerce project with Certification and Accreditation Administration of China (CNCA)
- Through roundtables with industry over 2 years, successfully resolved practical issues companies faced with the China Compulsory Certification (CCC) program



Member Priorities: Trade Facilitation

- Consistent ANSI interaction with U.S. government on World Trade Organization (WTO) issues to help the U.S. press other countries on their commitments under the Technical Barriers to Trade (TBT) Agreement
 - Example: Informational report on standardization in China and transparency
- Outreach to industry on the standards and conformance related requirements of the WTO TBT Agreement and how they help facilitate trade
- Tailored services for members with specific market access concerns

Member Priorities: Policy Advocacy



- Key ANSI policy committees:
 - IPC
 - ANSI ISO Council (AIC)
 - USNC

- Advocacy on top issues:
 - Input to U.S. and EU government regarding the High Level Working Group on Jobs and Growth
 - Transparency in China
 - Coordination with other trade associations to formulate a unified message to U.S. government



for more information

Gary Kushnier
Vice President,
International Policy
gkushnie@ansi.org

American National Standards Institute

Headquarters

1899 L Street, NW
11th Floor
Washington, DC 20036

T: 202.293.8020
F: 202.293.9287

New York Office

25 West 43rd Street
4th Floor
New York, NY 10036

T: 212.642.4900
F: 212.398.0023

www.ansi.org
webstore.ansi.org
www.nssn.org